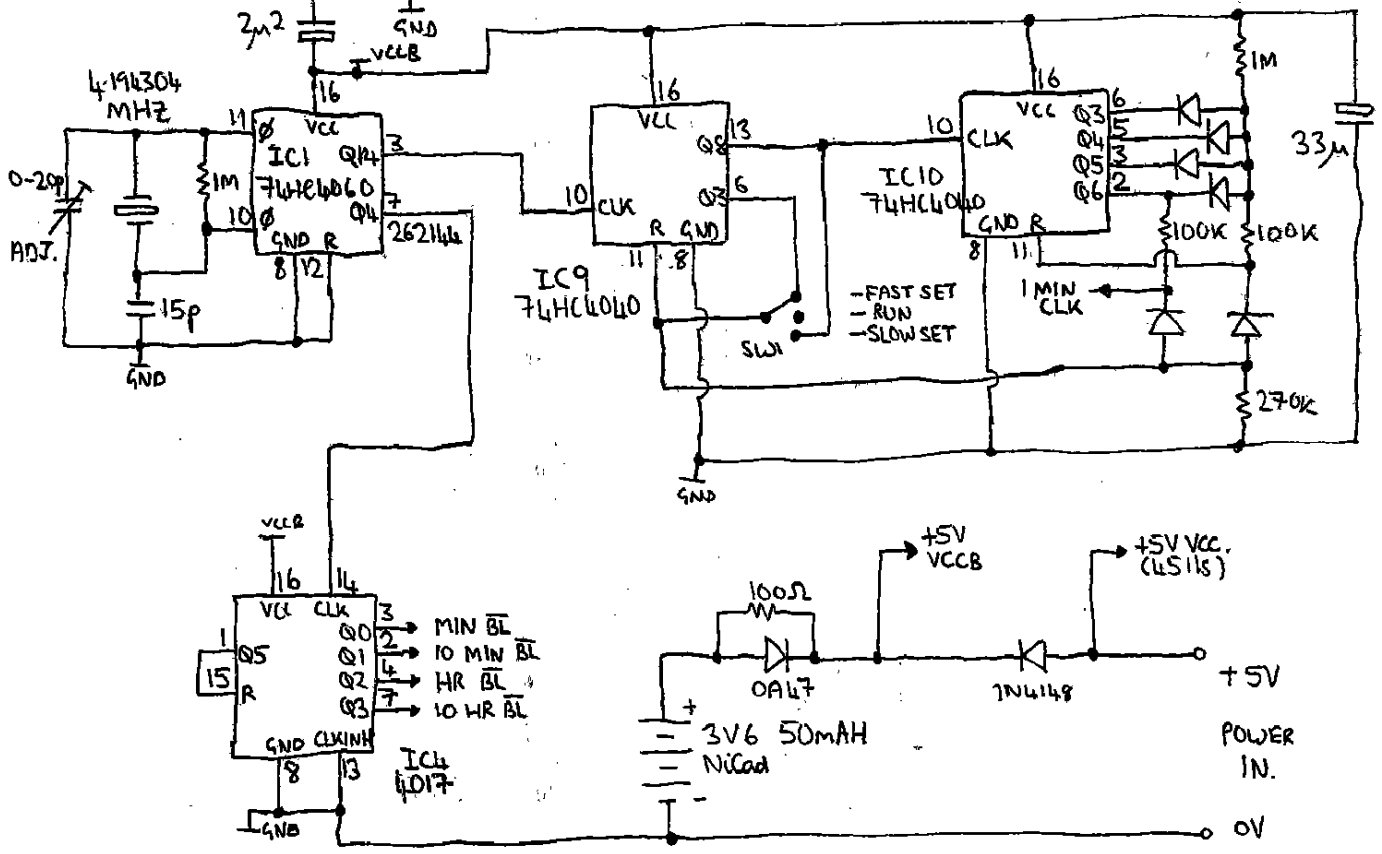
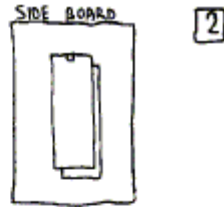
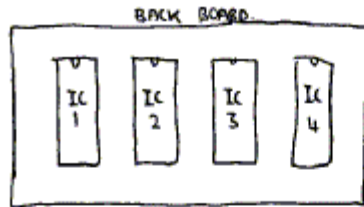


DIGITAL
CLOCK

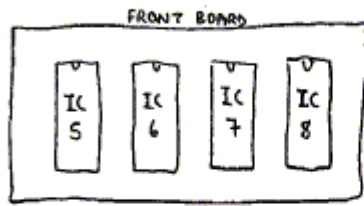
HANS
SUMMERS, 1993.

ALL DIODES 1N4148 OR EQUIV
UNLESS MARKED OTHERWISE.





2



IC9 BOTTOM
IC10 TOP.

