

COPYRIGHT 1954 BY HEWLETT-PACKARD COMPANY
 This drawing is intended for the operation and maintenance of Hewlett-Packard equipment and is not to be used otherwise or reproduced without written consent of the Hewlett-Packard Company.
 522B AD - 2533A
 521A/C AD - 1682A

FIGURE 4-19 AMPLITUDE DISCRIMINATOR UNIT

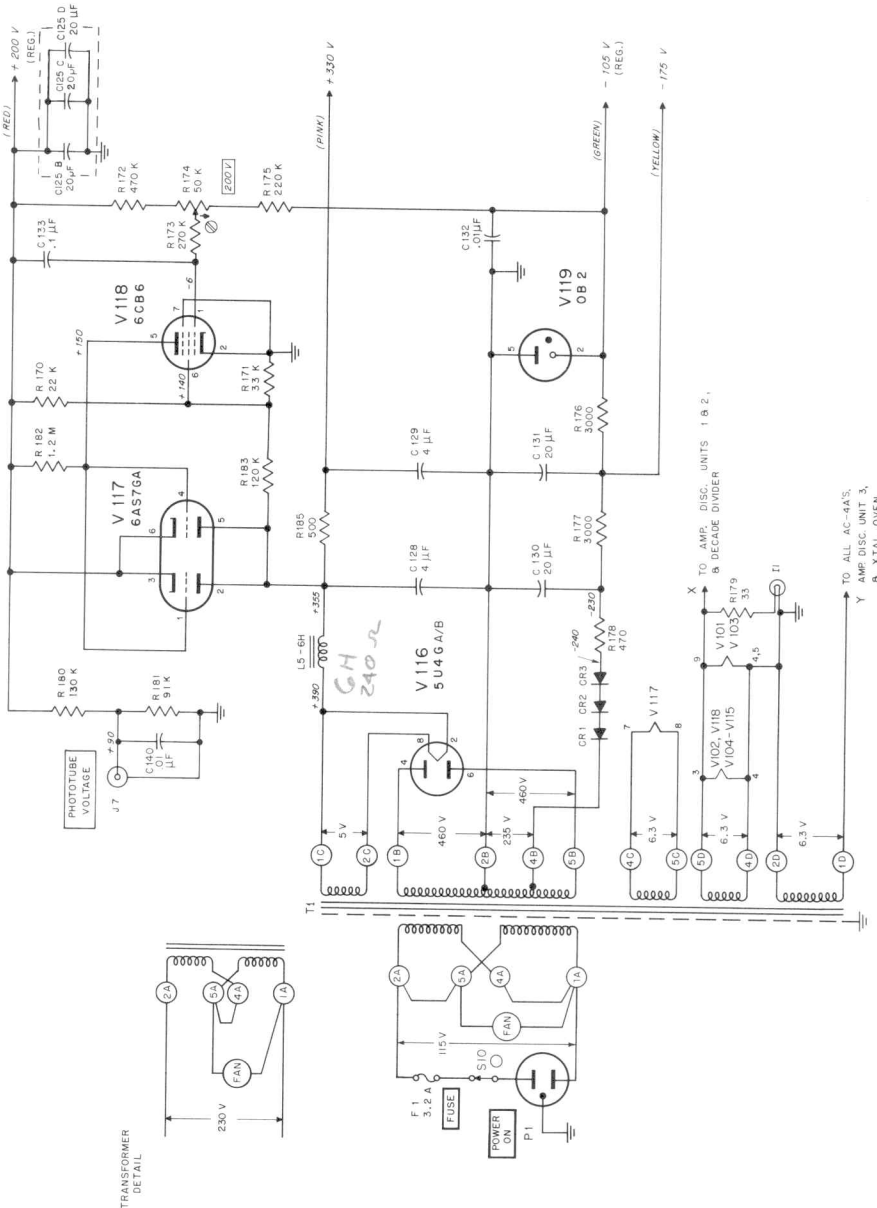


FIGURE 4-18 POWER SUPPLY SECTION

NOTES:

- CONDITIONS OF DC VOLTAGE MEASUREMENT
1. LINE VOLTAGE 115 / 230 V , 50 / 60 \sim
 2. DISPLAY TIME - MINIMUM
 3. MANUAL GATE CLOSED
 4. STD. GATE TIME - 1 SEC
 5. FUNCTION SELECTOR CHECK
 6. TIME UNIT - EXT
 7. TRIGGER LEVEL VOLTS - 0
 8. TRIGGER SLOPE
 9. TRIGGER PULSE SEC
 10. VOLTAGES MEASURED BETWEEN POINTS AND CHASSIS WITH VOLTMETER OF 122 MEGOHMS INPUT RESISTANCE. (HP MODEL 410 B)

CONDITIONS OF AC VOLTAGE MEASUREMENT

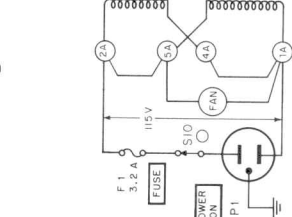
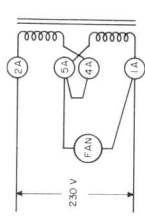
1. THRU 9 SAME AS DC CONDITIONS
 10. VOLTAGES MEASURED BETWEEN INDICATED POINTS WITH A 1000 OHMS / VOLT OR BETTER AC METER, ALL VOLTAGES RMS.
- ALL CAPACITANCE IN μ F UNLESS OTHERWISE NOTED.
ALL RESISTANCE VALUES IN OHMS
- K = 1000 OHMS
M = 1 MEGOHM
K = ADJUSTED AT FACTORY FOR OPTIMUM PERFORMANCE.
RESISTOR VALUE SHOWN, PART MAY BE OMITTED.
— = CHASSIS
○ = PANEL CONTROL
◉ = SCREWDRIVER ADJUSTMENT

↑ INDICATES CLOCKWISE ROTATION.

WHEN TWO VOLTAGES ARE INDICATED:

- 7-600/ APPLIES DURING DISPLAY (GATE CLOSED)
- 4-66/ APPLIES DURING COUNT (GATE OPEN)

COPYRIGHT 1958 BY HENLETT-PACKARD COMPANY
This drawing is intended for the operation of the power supply section of the Hewlett-Packard Model 410 B. It is not to be used otherwise or for other than the specific design intended by Hewlett-Packard Company. 410 B 4-10584

TRANSFORMER
DETAIL

TO ALL AC-4A'S,
Y AMP DISC UNIT 3,
S XTAL OVEN

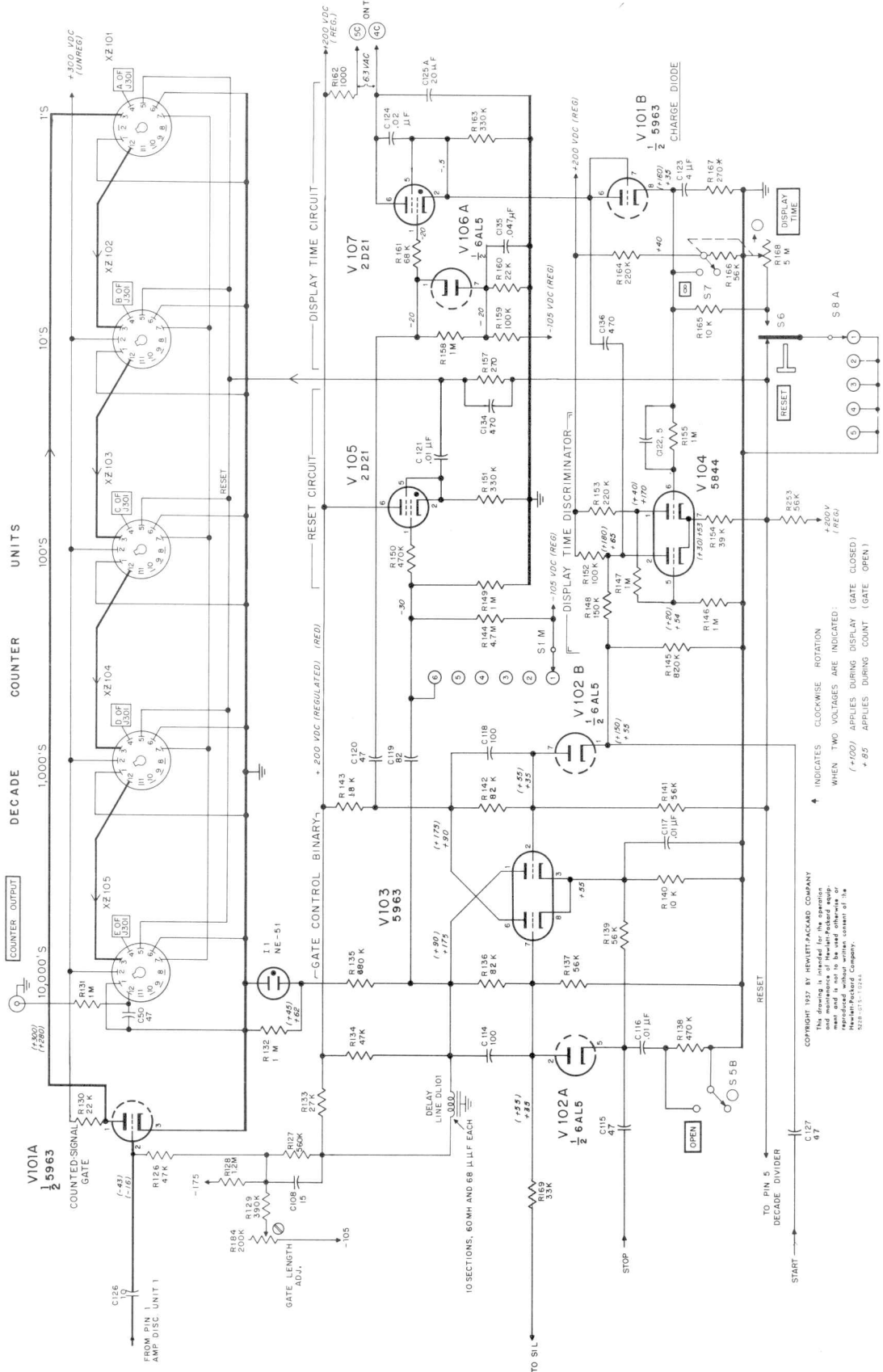


FIGURE 4-17 GATING SECTION

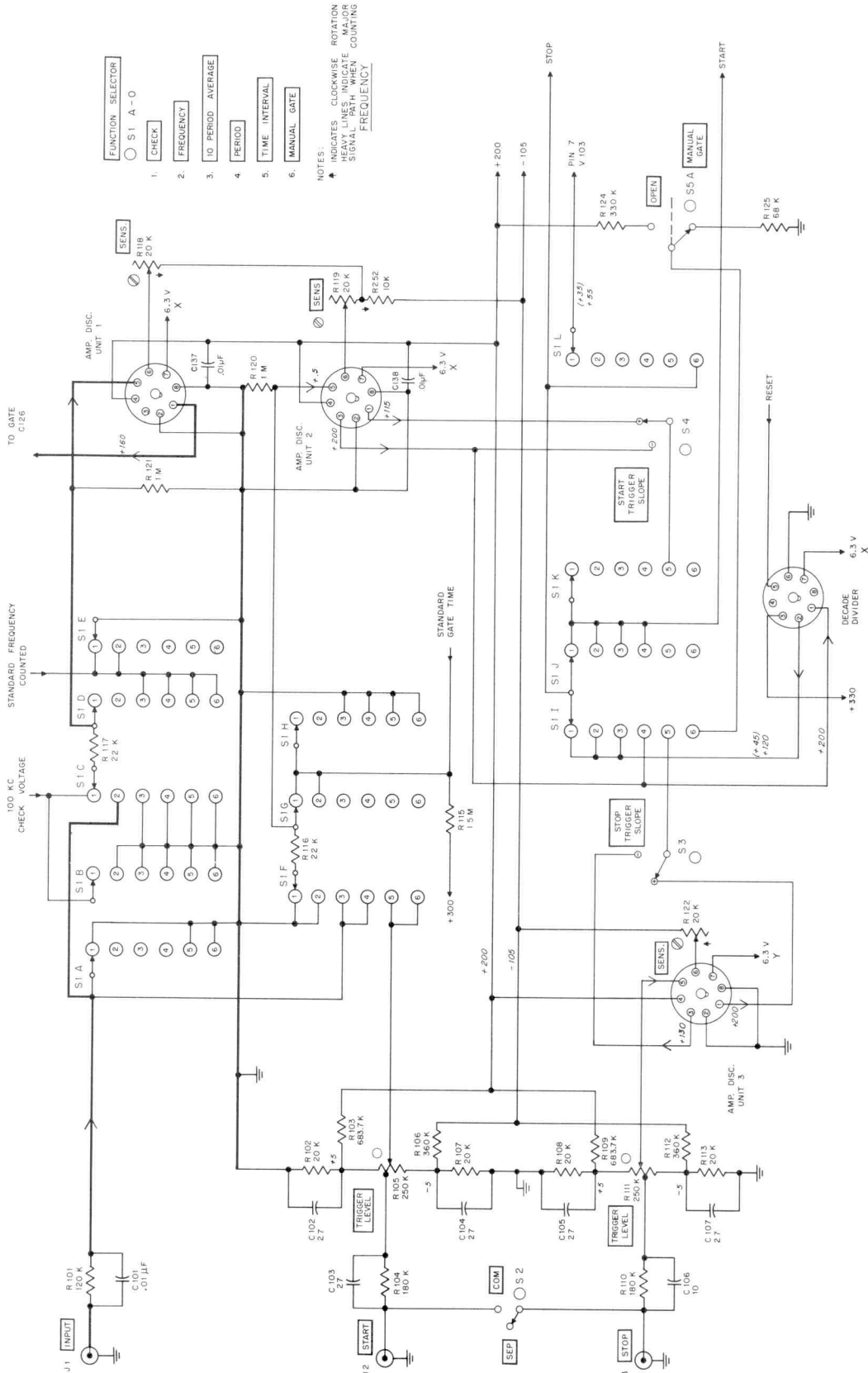
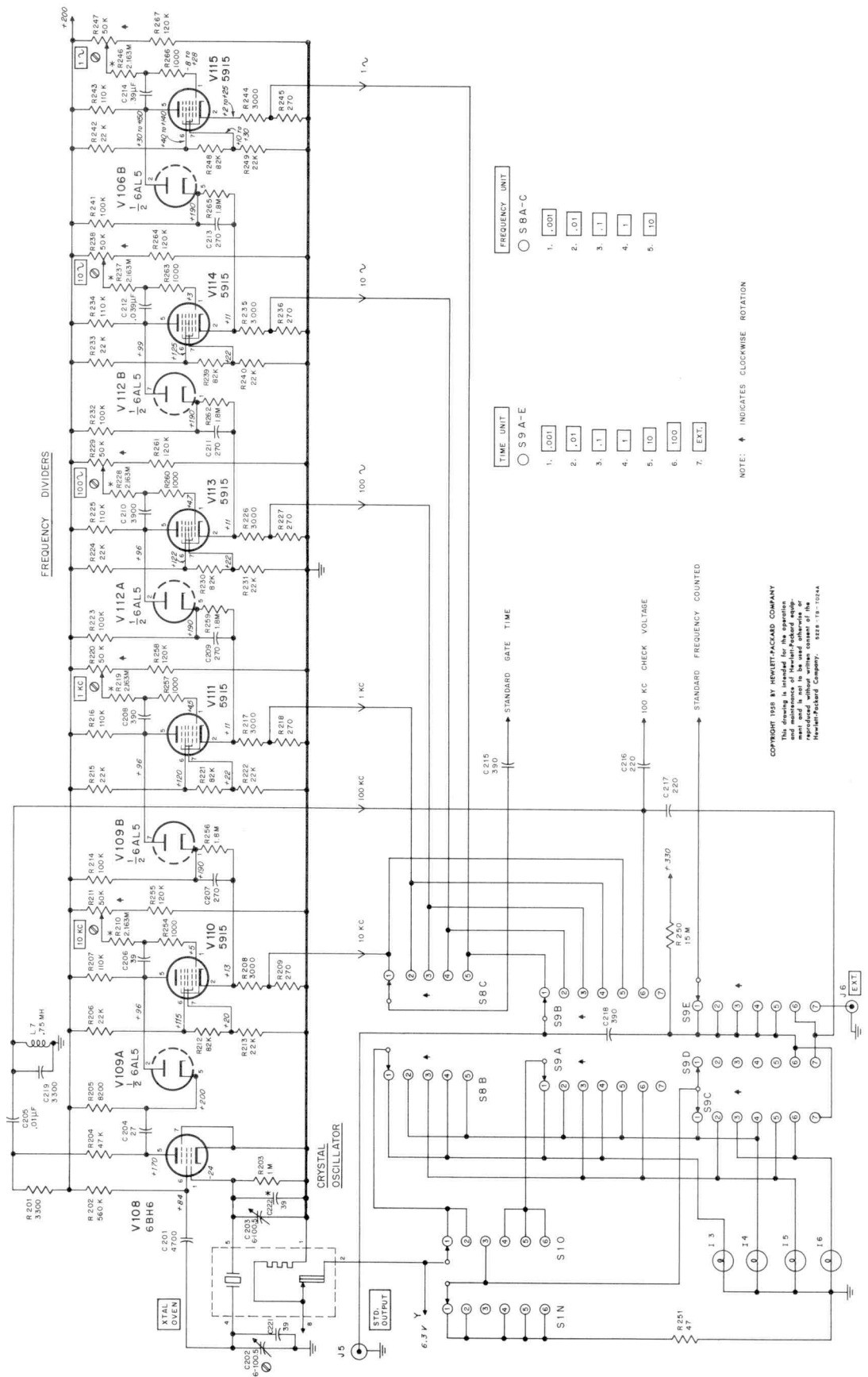


FIGURE 4-16 SWITCHING SECTION



COPYRIGHT 1958 BY HEWLETT-PACKARD COMPANY
 All rights reserved. This document is the property of Hewlett-Packard Company and its contents should not be used otherwise without the express written permission of Hewlett-Packard Company. 827A-174-1024A

FIGURE 4-15 TIME BASE SECTION

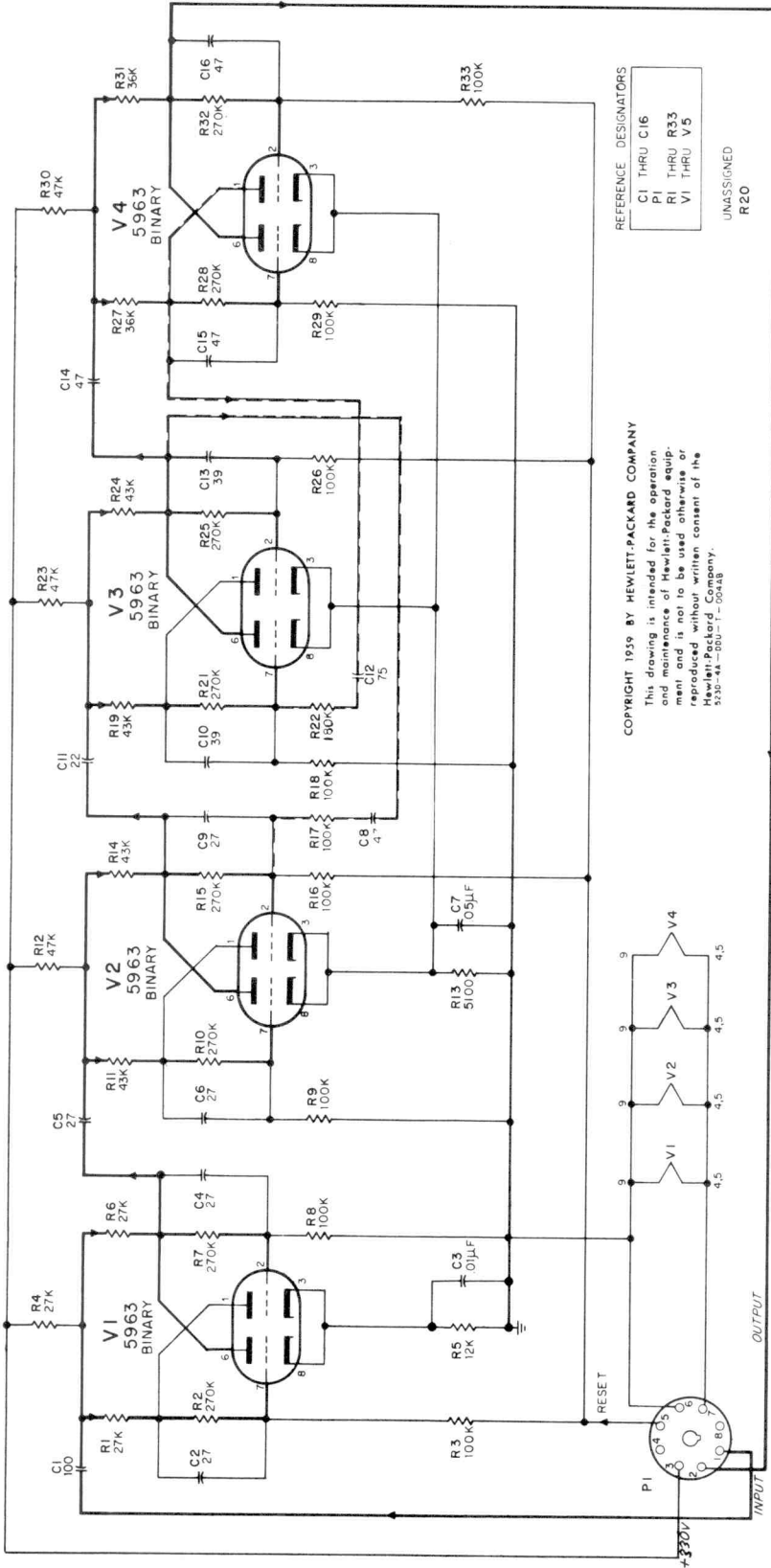


FIGURE 4-20 DECADE DIVIDER UNIT